

2D Desktop Barcode Scanner

MG-5010



Windows



Android



Linux



Product Features

1. Read all popular 1D and 2D barcodes
2. Read barcodes on screen
3. Plug and play, no driver
4. Compatible with various operating systems
5. IP54 protection rate, solid and reliable

Product Picture



Specification

Physical Characteristics

Dimensions	140.20mm x 84mm x 90.10mm
Weight	249g
Voltage	5V
Stand-by Current	235mA
Starting Current	315mA
Work Current	320mA

Performance Characteristics

Image (Pixels)	CMOS 640 pixels (H) x 480 pixels (V)
Light Source	(Aimer) Blue color LED, (Illumination) Red color LED
Field of View	39°(H) X29°(V)
Roll / Pitch / Yaw	360°, ±65°, ±65°
Print Contrast	20%
Interfaces Supported	USB
Resolution	≥3mil

User Environment

Operating Temperature	-20°C to 60°C
Storage Temperature	-30°C to 70°C
Humidity	5% to 95%,non-condensing
Shock Specifications	1.2m(5') drops
Ambient Light Immunity	0-100,000 Lux.

Decode Ranges

Code39(5mil)	0-7cm
Code39(13mil)	0-17cm
QR(20mil)	0-11cm
QR (3*3)	1-30cm

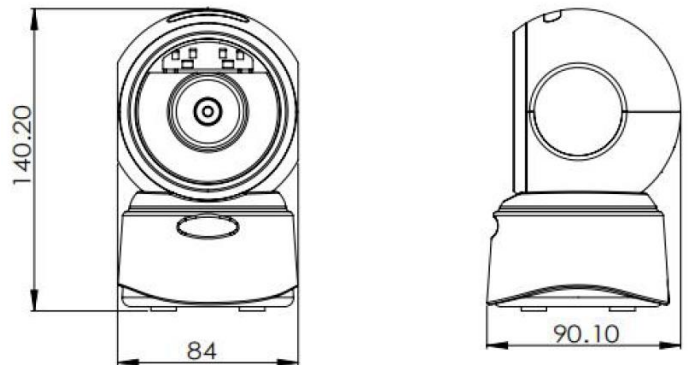
Symbology Decode Capability

1-D	Codabar,Code 39,Code 32 Pharmaceutical (PARAF),Interleaved 2 of 5,NEC 2 of 5,Code 93,Straight 2 of 5 Industrial,Straight 2 of 5 IATA, Matrix 2 of 5, Code 11,Code 128,GS1-128,UPC-A,UPC-E,EAN/JAN-8,EAN/JAN-13,MSI,GS1 DataBar Omnidirectional,GS1 DataBar Limited,GS1 DataBar Expanded,China Post(Hong Kong 2 of 5),Korea Post.
2-D	DOT Code, Codeblock A,Codeblock F,PDF417,Micro PDF417,GS1 Composite Codes,QR Code,Data Matrix,MaxiCode,Aztec,HANXIN.

Default Symbology Decode

Codabar,Code39,Interleaved2of5,NEC2of5,Code93,Code128,UPC-A,UPC-E0,EAN/JAN-13,EAN/JAN-8,GS1-DataBar,PDF417,QR,DM,Aztec

Dimension (unit: mm)



Application

This barcode scanner is widely used in supermarket, retail, warehouse, logistics, medical and other fields.



Manufacture



Logistics



Retail,



Express Industry